

IP Phone 1210/1220/1230 Quick Installation Guide

This document provides information about the IP Phone 1210, 1220, and 1230. You can download all required documents at www.nortel.com



IP Phone 1230

Before you start

If you require a Global Power Supply for your IP Phone, use the Nortel-approved global power supply (N0146475).

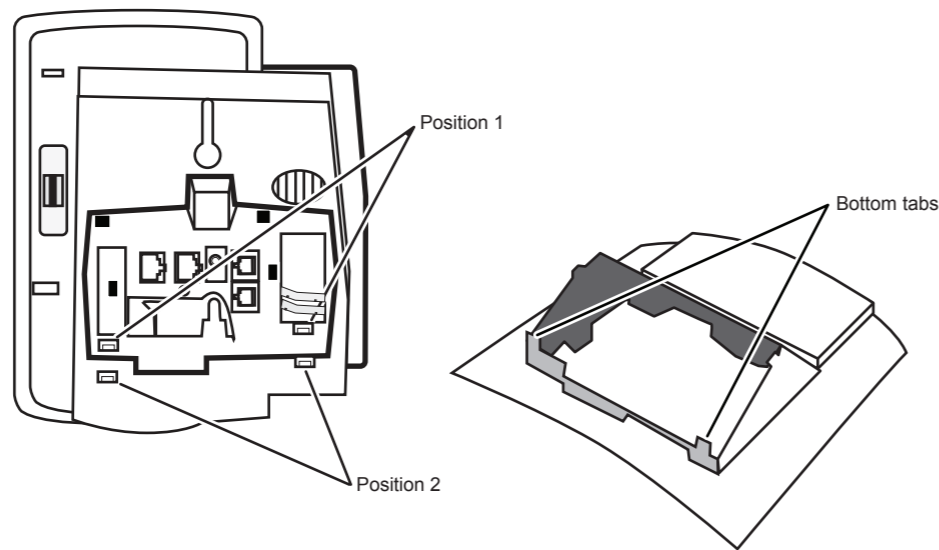
Package contents

Ensure that you have the following package contents:

- IP Phone
- foot stand
- handset
- handset cord
- 2.1 m (7 ft) CAT5 Ethernet cable
- number plate and lens

Attaching the foot stand

- 1 Align the bottom tabs on the foot stand with the position 1 slots or the position 2 slots on the back of your IP Phone, and snap the foot stand into place. In position 1 the IP Phone sits at a 25 degree angle. In position 2 the IP Phone sits at a 55 degree angle.



Installing the handset

- 2 Plug one end of the handset cord (short straight section) into the handset.
- 3 Plug the other end of the handset cord (long straight section) into the handset jack, marked with the t symbol, in the back of the IP Phone.
- 4 Thread the long straight section of the cord through the channel in the side of the foot stand.

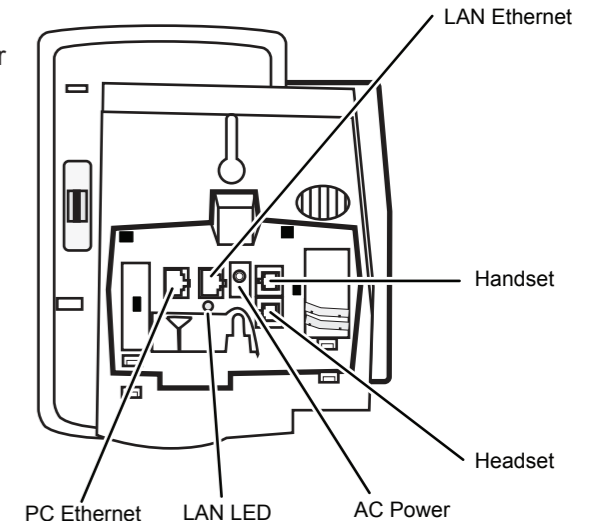
Installing the headset (optional)

- 5 Plug one end of the headset cord into the headset jack, marked with the h symbol, in the back of the IP Phone.
- 6 Thread the cord through the channel in the side of the foot stand.

Connecting the Global Power Supply (optional)

Your IP Phone supports both AC power and Power over Ethernet (PoE). For AC power, use only the Nortel-approved Global Power Supply (N0146475) and the country-specific IEC cable that you can order separately. To use PoE, your connected LAN must support PoE.

- 7 Connect the DC barrel connector to the power jack in the back of the IP Phone.
- 8 Thread the cable through the channel in the foot stand to secure the cable.
- 9 Plug the country-specific IEC cable into the Global Power Supply, and then plug the Global Power Supply into the nearest AC power outlet.



Installing the LAN Ethernet cable

Do not extend the LAN Ethernet cable to the outside of the building.

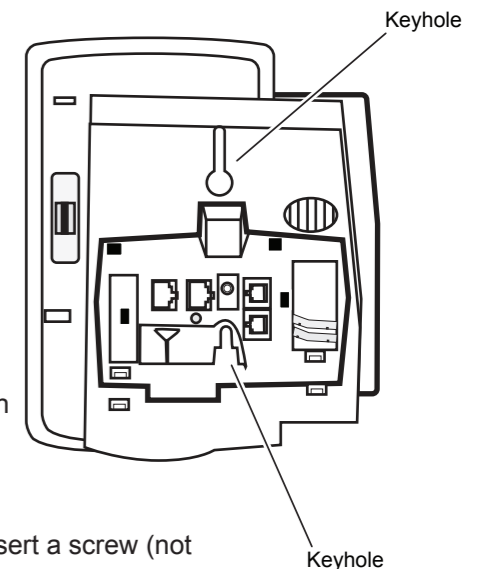
- 10 Plug one end of the LAN Ethernet cable into the LAN Ethernet port, marked with the t symbol, in the back of the IP Phone.
- 11 Thread the cable through the channel in the foot stand.
- 12 Plug the other end of the cable into your LAN Ethernet connection. The LAN LED in the back of the IP Phone lights when a LAN connection is established.

Installing the PC Ethernet cable (optional)

- 13 To connect your computer to the LAN through the IP Phone, plug one end of the PC Ethernet cable (not supplied) into the PC Ethernet port, marked with the c symbol, in the back of the IP Phone.
- 14 Thread the cable through the channel in the foot stand.
- 15 Plug the other end of the cable into the LAN port on your computer.

Wall-mounting the IP Phone (optional)

- 16 Remove the foot stand.
- 17 Ensure all cables are properly routed and the IP Phone is functioning.
- 18 Make a small mark on the wall where you want the top keyhole slot to align and insert a screw (not provided) so that it protrudes slightly from the wall.
- 19 Measure a straight line down from the mark, approximately 9 cm (3.5 in.).
- 20 Make a second mark to identify the position of the second key-hole and insert a screw (not provided) so that it protrudes slightly from the wall.
- 21 Align the keyholes on the back of the IP Phone with the screws in the wall.
- 22 Slide the IP Phone down on the screws to secure the IP Phone.



For more detailed installation instructions, see *IP Phone 1200 Series Installation* (NN40050-302) at www.nortel.com.

NORTEL

N0154124
NN40050-301
Standard 01.01
Copyright (c) 2007 Nortel Networks. All rights reserved