



Rugged Reliability

RA708



- **Robust Construction**
- **All Weather Protection**
- **Vandal Resistant**
- **Tamper resistant fixings**
- **Highly Reliable Operation**
- **Simple installation**
- **Fast-fit terminal connection**
- **Various Mounting Options**
- **DTMF/Loop, or C.B. (Hot Line) Operation**
- **Auto-dial option**
- **Fully Programmable**
- **Non-volatile memory**
- **Line Powered**
- **Tough Polyurethane Handset**
- **REN-1 rating**

RA708 Series Weather and Vandal Resistant Telephones

These telephone instruments are fully contained within a corrosion resistant cast aluminium weatherproof case with a self-closing door providing complete protection against dust and moisture ingress, resulting in a highly reliable product with a long MTBF. The unique robust handset is manufactured from moulded polyurethane and designed specifically to withstand arduous use in all environments, it can be fitted with an armoured cord, if required, to provide additional resistance to vandalism or heavy industrial use.

The **RA708 Weatherproof Telephone** is designed for use by the railways, power stations, the armed services and heavy industry which require very reliable telephony under adverse conditions.

Powdercoat finish available in Yellow or Grey, durable and resistant to discolouration yet easily cleaned. Telephones can be wall mounted, side of pole mounted or, by utilising specific bracket, top of pole mounted.

Installation is simple and quick via M20 cable glands on to fast-fit connectors which are accessed without the need for dismantling the telephone body.

DAC Limited Registered in England No.4851094
Registered Office: Unit214a, Lomeshaye Business Village, Turner Road, Nelson. UK. BB9 7DR
Tel: +44 (0) 1282 447000 Fax: +44 (0) 845 280 1915

www.daclimited.co.uk

TECHNICAL SPECIFICATION

TECHNICAL SPECIFICATION

Speech/ Network Interface:

EN 301 437 V1.1.1 [Manufactured to TBR21 TBR38]

Ringin

Frequency modulated, Piezo transducer, cadence as per incoming ringing. REN 1.0

Power Supply:

Line powered, 10mA min.

Time out:

Selectable 0-10 minutes

Temperature:

Operating: -30° C to +60° C

Storing: -40° C to +70° C

Relative Humidity:

Up to 95% (non-condensing)

Casing Material:

Robust cast aluminium.

Colours:

Standard Yellow or Grey durable powder coat. [custom colours available]

Programming:

Externally connected keypad matrix.

Safety:

Manufactured to BS EN 60950

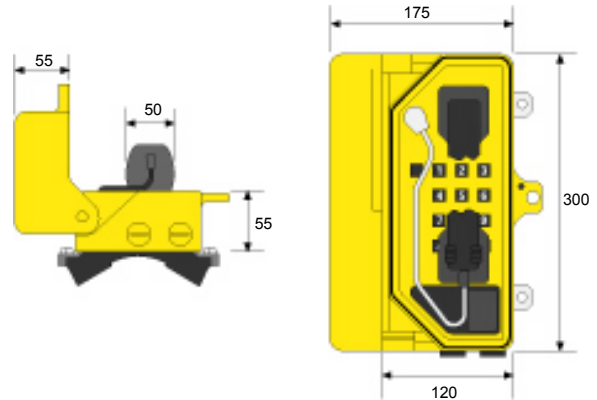
Protection:

Dust and Liquids to BS 5490: 1977 IP55

Handset 'Wrench' Test:

Curly Cord: 18kg Max. Armoured Cord: 150kg Max.

DIMENSIONS



ORDERING INFORMATION

Weatherproof Telephone

RA708 - CB - Y - C

Model No.

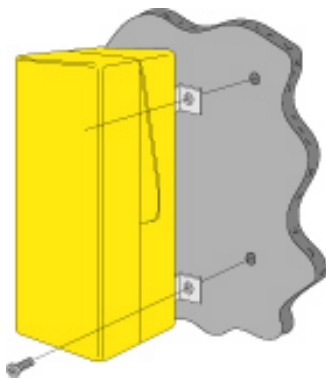
Keypad Type CB, SB
(Single Button) or FK
(Full Keypad)

Colour Yellow (Y) or
Grey (G)

Cord Type Steel (S) or
Curly (C)

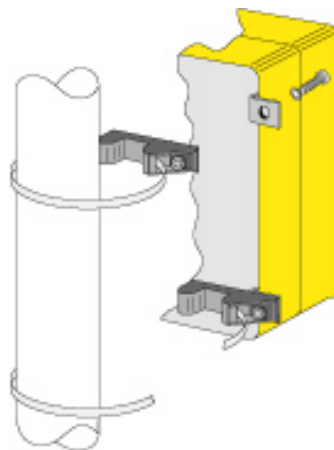


FIXING OPTIONS



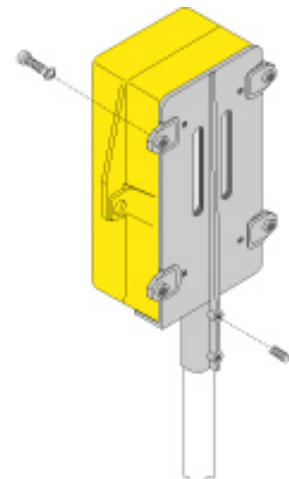
WALL MOUNTING

*Integral with backplate
on all telephones*



SIDE OF POLE
MOUNTING

Part no. 557157



TOP OF POLE MOUNTING

*Part no. 504752 (yellow)
Part no. 503483 (grey)*



www.daclimited.co.uk

DAC Limited
Tel: +44 (0) 1282 447000
Fax: +44 (0) 8452801915