



BM32 Button Module

User Guide

16-601450
Issue 1
April 2007

© 2007 Avaya Inc.
All Rights Reserved.

Notice

While reasonable efforts were made to ensure that the information in this document was complete and accurate at the time of printing, Avaya Inc. can assume no liability for any errors. Changes and corrections to the information in this document may be incorporated in future releases.

For full legal page information, please see the complete document, Avaya Legal Page for Hardware Documentation, Document number 03-600759.

To locate this document on our Web site, simply go to <http://www.avaya.com/support> and search for the document number in the search box.

Documentation disclaimer

Avaya Inc. is not responsible for any modifications, additions, or deletions to the original published version of this documentation unless such modifications, additions, or deletions were performed by Avaya. Customer and/or End User agree to indemnify and hold harmless Avaya, Avaya's agents, servants and employees against all claims, lawsuits, demands and judgments arising out of, or in connection with, subsequent modifications, additions or deletions to this documentation to the extent made by the Customer or End User.

Link disclaimer

Avaya Inc. is not responsible for the contents or reliability of any linked Web sites referenced elsewhere within this documentation, and Avaya does not necessarily endorse the products, services, or information described or offered within them. We cannot guarantee that these links will work all of the time and we have no control over the availability of the linked pages.

Warranty

Avaya Inc. provides a limited warranty on this product. Refer to your sales agreement to establish the terms of the limited warranty. In addition, Avaya's standard warranty language, as well as information regarding support for this product, while under warranty, is available through the following Web site:

<http://www.avaya.com/support>

Copyright

Except where expressly stated otherwise, the Product is protected by copyright and other laws respecting proprietary rights. Unauthorized reproduction, transfer, and or use can be a criminal, as well as a civil, offense under the applicable law.

Avaya support

Avaya provides a telephone number for you to use to report problems or to ask questions about your product. The support telephone number is 1-800-242-2121 in the United States. For additional support telephone numbers, see the Avaya Web site:

<http://www.avaya.com/support>

Software License

USE OR INSTALLATION OF THE PRODUCT INDICATES THE END USER'S ACCEPTANCE OF THE TERMS SET FORTH HEREIN AND THE GENERAL LICENSE TERMS AVAILABLE ON THE AVAYA WEB SITE AT <http://support.avaya.com/LicenseInfo/> ("GENERAL LICENSE TERMS"). IF YOU DO NOT WISH TO BE BOUND BY THESE TERMS, YOU MUST RETURN THE PRODUCT(S) TO THE POINT OF PURCHASE WITHIN TEN (10) DAYS OF DELIVERY FOR A REFUND OR CREDIT.

Avaya grants End User a license within the scope of the license types described below. The applicable number of licenses and units of capacity for which the license is granted will be one (1), unless a different number of licenses or units of capacity is specified in the Documentation or other materials available to End User. "Designated Processor" means a single stand-alone computing device. "Server" means a Designated Processor that hosts a software application to be accessed by multiple users. "Software" means the computer programs in object code, originally licensed by Avaya and ultimately utilized by End User, whether as stand-alone Products or pre-installed on Hardware. "Hardware" means the standard hardware Products, originally sold by Avaya and ultimately utilized by End User.

License Type(s):

Designated System(s) License (DS). End User may install and use each copy of the Software on only one Designated Processor, unless a different number of Designated Processors is indicated in the Documentation or other materials available to End User. Avaya may require the Designated Processor(s) to be identified by type, serial number, feature key, location or other specific designation, or to be provided by End User to Avaya through electronic means established by Avaya specifically for this purpose.

Third-party Components

Certain software programs or portions thereof included in the Product may contain software distributed under third party agreements ("Third Party Components"), which may contain terms that expand or limit rights to use certain portions of the Product ("Third Party Terms"). Information identifying Third Party Components and the Third Party Terms that apply to them is available on Avaya's Web site at:

<http://support.avaya.com/ThirdPartyLicense/>

Interference

Using a cell, mobile, or GSM telephone, or a two-way radio in close proximity to an Avaya IP Telephone might cause interference.

Contents

Introduction to the BM32 Button Module	5
Answering a Call.	6
Abbreviated Dial	6
Accessing Features	6

Contents

Introduction to the BM32 Button Module

The BM32 Button Module extends the number of call appearances and feature buttons on your Avaya 1616 IP Telephone. It provides 32 additional lines for incoming calls, outgoing calls, and calling features. Typical uses are:

- to provide additional lines for calls bridged from one or more other extensions,
- to provide abbreviated dialing buttons, and
- to provide buttons to access additional switch features like call forwarding.

Note that call appearances and features the Button Module displays also appear in the call appearances and features lists on your telephone.

Figure 1: The BM32 Button Module

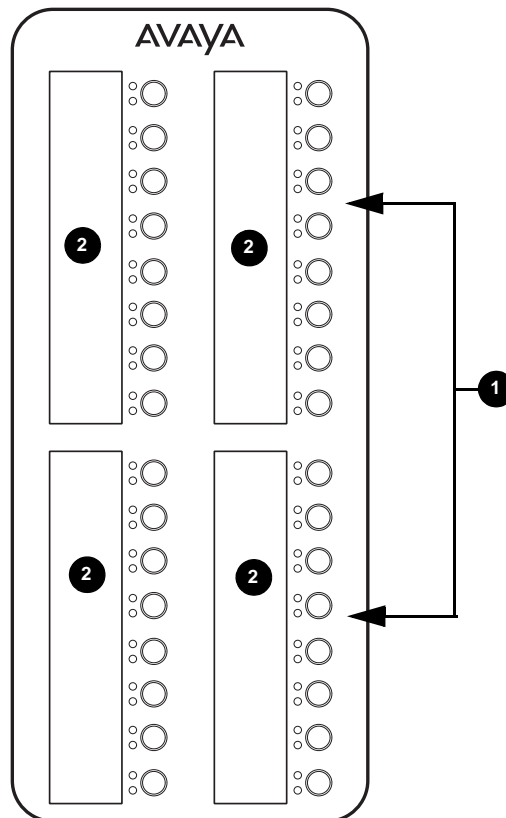


Figure notes:

1. Call Appearance/Feature buttons (for call appearance and features).
 2. Area for paper button labels.
-

Answering a Call

Press the flashing line button on the Button Module to turn on the Speaker and answer the call. Or pick up the handset then press the flashing line button.

Note:

If you have bridged call appearances on your Button Module, you can receive and answer calls to other extensions. For more information, see “About Bridged Calls” in the *Avaya 1616 IP Telephone User Guide*.

Abbreviated Dial

Abbreviated dial (AD) buttons provide one-button dialing of commonly called numbers. If your administrator has set up AD buttons, you can press a single BM32 button to dial a number.

Lift the handset then press the button that corresponds to the name or number of the person you want to call. If you want to call using the Speaker, just press the button corresponding with that person.

Note:

If your administrator has set up the Program Abbreviated Dialing feature on your telephone, you can program the numbers for AD buttons yourself. For more information, see the user guide for your telephone model.

Accessing Features

Your button module might have feature buttons for features like Call Forwarding, Call Pickup, Go to Coverage, and Auto Callback.

To use a feature button, press the button next to the feature you want to activate.